

SECTION A



CHASSIS FRAME
FRONT SUSPENSION ASSEMBLY
FRONT HYDRAULIC DAMPERS
REAR AXLE
REAR SPRINGS
PROPELLER SHAFT
REAR HYDRAULIC DAMPERS
WHEELS

SERVICE PARTS LIST

M.G. MIDGET (SERIES "TD")

DESCRIPTION	No. off per Car	Commencing Chassis No. TD0251		Part No.	Commencing Chassis No.	Part No.	Commencing Chassis No.	REMARKS	
		Part No.	Illus. No.						
FRONT SUSPENSION									
Steering knuckle—R/H	1	136021	A28	ATB4206	12285			When supplying ATB4208/9 supply also UHN405	
Swivel pin—R/H	1	ACG4031	A30						
Link—swivel pin—upper R/H	1	ATB4208	A32						
Plate—link	1	ACA4010	A34						
Bush—link	1	ACG6005	A35						
Link—swivel pin—lower R/H	1	126897	A36						
Plate—link	1	ACA4010	A34						
Bush—link	1	ACG6005	A35						
Seal—swivel pin	2	ACG4030	A38						
Grease nipple ($\frac{5}{16}$ " \times 90°)—link	2	ACA5122	A39						
Lubricator	2	UHN405							
Steering lever—R/H	1	136019	A40					Fin. at 6034	
Nut—Simmonds thin $\frac{1}{2}$ " BSF	1	500109	A42						
Key (Woodruff No. 8)	1	WKN506	A43						
Nut—steering knuckle—R/H	1	FNN412	A44						
Washer—plain	2	ATB4069							
Felt washer—hub	1	53853	A46						
Grease retainer—hub	1	100711	A47	ATB4098	6035				
Bearing hub—inner	1	ACF4002	A48						
Bearing hub—outer	1	ACF4000	A49						
Distance piece—hub	1	ACF4003	A50						
Distance washer—hub	1	ACF4001	A51						
Oil seal—hub	1	ACF4004	A52						
Seal	1	500196						Fin. at 6034	
Grease-retaining cap	1	500195		ATB4098	6035			Fin. at 6034	
Spring clip	1	500198							
Washer	1	500328							
Distance tube	1			500197	4251			Fin. at 12284	
Hub and brake-drum assembly—R/H front (including wheel studs)	1	68913	A53	101897	4251	ATB4129	6035		
Wheel stud	5	68755	A54, E39	ATB4162	4251				
Nut—wheel stud	5	ATB4163	E40						
Bolt—brake-plate to stub shaft	4	101892							
Hub and brake-drum assembly—L/H front (including wheel studs)	1			ACF4007	12285				
Wheel stud	5			ATB4097					
Nut—wheel stud	5			ATB4100					
Steering knuckle—L/H	1	136022	A29	ATB4207					When supplying ATB4208/9 supply also UHN405
Swivel pin—L/H	1	ACG4032	A31						
Link—swivel pin—upper L/H	1	ATB4209	A33						
Plate—link	1	ACA4010	A34						
Bush—link	1	ACG6005	A35						
Link—swivel pin—lower L/H	1	126898	A37						
Plate—link	1	ACA4010	A34						
Bush—link	1	ACG6005	A35						
Seal—swivel pin	2	ACG4030	A38						
Grease nipple ($\frac{5}{16}$ " \times 90°)—for links	2	ACA5122	A39						
Lubricator	2	UHN405							
Steering lever—L/H	1	136020	A41					Fin. at 6034	
Nut—Simmonds thin $\frac{1}{2}$ " BSF	1	500109	A42						
Key (Woodruff No. 8)	1	WKN506	A43						
Nut—steering knuckle—L/H	1	FNN2412	A45						
Washer—plain	2	ATB4069							
Felt washer—hub	1	53853	A46	ATB4098	6035				

DESCRIPTION	No. off per Car	Commencing Chassis No. TD0251		Part No.	Commencing Chassis No.	Part No.	Commencing Chassis No.	REMARKS	
		Part No.	Illus. No.						
Front Suspension—continued									
Grease retainer—hub	1	100711	A47					Fin. at 6034	
Bearing—hub—inner	1	ACF4002	A48						
Bearing—hub—outer	1	ACF4000	A49						
Distance piece—hub	1	ACF4003	A50						
Distance washer—hub	1	ACF4001	A51						
Oil seal—hub	1	ACF4004	A52						
Seal	1	500196							
Grease-retaining cap	1	500195		ATB4098	6035				
Spring clip	1	500198							
Washer	1	500328							
Distance tube	1			500197	4251				
Hub and brake-drum assembly—front (including wheel studs)	1	68913	A53	101897	4251	ATB4129	6035	Fin. at 6034	
Wheel stud	5	68755	A54, E39	ATB4162	4251				
Nut—wheel stud	5	ATB4163	E40						
Hub and brake-drum assembly, including wheel studs	1			ACF4007	12285				
Wheel stud	5			ATB4097					
Nut—wheel stud	5			ATB4100					
Bolt—brake to stub shaft	4	101892							
FRONT HYDRAULIC DAMPERS LUVAX GIRLING									
Damper complete—front	2	136023	A55						Fin. at 12284
Bolt—wishbone to link	2	129247	A56						
Link—distance tube	4	126900	A57						
Thrust washer—link	8	127657	A58						
Seal—link	8	126902	A59						
Support—link seal	8	126903	A60						
Spring coil	2	139105	A61						
Spring pan assembly	2	126905	A62						
Bottom wishbone assembly	4	126908	A63						
Wishbone pivot	2	126911	A64						
Bolt—wishbone to link	2	129248	A65						
Spigot for spring	2	136161	A66						
Check rubber	2	500822	A67						
Distance piece	2	500823							
Bolt	4	AJD6212							
Bush—bottom wishbone	8	126914	A68						
Washer—wishbone	4	126915	A69						
ALTERNATIVE ARMSTRONG SHOCK ABSORBERS									
Front shock absorbers complete	2	500533							
Valve assembly	2	300939							
Lid	2	300933							
Gasket	2	7H1785							
Screws	16	300936							
Filler plug	2	300937							
Washer—filler plug	2	300938							
Distance tube	2	500538							
Bolt—shock absorber to cross-member	4	AJD6309Z							
Bolt—shock absorber to cross-member	3	AJD6310Z							
Bolt—shock absorber to cross-member	1	AJD6315Z							
Spring washer	8	LWZ206							

DESCRIPTION	No. off per Car	Commencing Chassis No. TD0251		Part No.	Commencing Chassis No.	Part No.	Commencing Chassis No.	REMARKS
		Part No.	Illus. No.					
REAR AXLE ASSEMBLY, SPRINGS, AND PROPELLER SHAFT								
(The hypoid axle is of unit construction. Replacements of its component parts must be by selective assembly, fitted according to the special procedure and as detailed in the Workshop Manual.)								
Rear axle complete	1	A2342		A2370	12285			
Axle tube sub-assembly—R/H (including studs, nuts, and grease plug)	1	101862	B1	102256				
Stud—cover	10	101856	B2	ATC7461				
Nut—axle cover stud	10	NMS1/3	B3	AFN106/N				
Axle tube sub-assembly—L/H	1	101866	B7	102257				
Cage—differential	1	101529	B8	102219				
Pinion—differential	2	101524	B11	101989				
Washer—pinion	2	101525	B12					
Pin—pinion	1	101523	B14					
Gear—differential	2	101527	B9	101988		12285		
Washer—gear	2	101528	B10					
Bearing—differential	2	97H659	B17					
Locking bolt—pinion pin	1	101422	B15	ATC7488	12285			
Tab washer—locking bolt	1	ATC7489	B16					
Joint—axle tubes	1	101538	B4					
Distance collar—bearing—495"	2	101952	B18				Available in 12 different sizes from .495 to .506", rising in stages of .001"	
Distance collar—bearing—496"	2	101952						
Distance collar—bearing—497"	2	101952						
Distance collar—bearing—498"	2	101952						
Distance collar—bearing—499"	2	101952						
Distance collar—bearing—500"	2	101952						
Distance collar—bearing—501"	2	101952						
Distance collar—bearing—502"	2	101952						
Distance collar—bearing—503"	2	101952						
Distance collar—bearing—504"	2	101952						
Distance collar—bearing—505"	2	101952						
Distance collar—bearing—506"	2	101952						
Grease plug—bearing housing	2	101574		ATC7464	12285			
Oil filler plug	1	101777	B6	ADP116				
Drain plug	1	958Z	B5	ADP104				
Crown wheel and pinion	1 pr.	101902	B19	102258				
Bolt—crown wheel	8	101985	B20	ATA7043				
Locking tab—crown wheel bolt	4	101535	B21	102384				
Bearing and spacer assembly	1 set	101558	B23					
Distance washer—pinion—rear—117"	1	101874	B22					
Distance washer—pinion—rear—118"	1	101874						
Distance washer—pinion—rear—119"	1	101874						
Distance washer—pinion—rear—120"	1	101874						
Distance washer—pinion—rear—121"	1	101874						
Distance washer—pinion—rear—122"	1	101874						
Distance washer—pinion—rear—123"	1	101874						
Distance washer—pinion—rear—124"	1	101874						
Distance washer—pinion—rear—125"	1	101874						
Distance washer—pinion—rear—126"	1	101874						
Distance washer—pinion—rear—127"	1	101874						
Distance washer—pinion—rear—128"	1	101874						
Oil seal—pinion—front	1	ATA7047	B24		12285			
Nut—pinion	1	80496	B26	ATC7482				
Washer—nut	1	80497	B27	ATC7483				

SERVICE PARTS LIST

M.G. MIDGET (SERIES "TD")

DESCRIPTION	No. off per Car	Commencing Chassis No. TD0251		Part No.	Commencing Chassis No.	Part No.	Commencing Chassis No.	REMARKS
		Part No.	Illus. No.					
Rear Axle Assembly, Springs, and Propeller Shaft—continued								
Flange—universal joint	1	ATC7481	B25					} Fin. at 12284
Hub and brake-drum assembly (including wheel studs)	2		B38	101898	4251			
Wheel stud	10	ATB4162	B39, E39					
Nut—wheel stud	10	ATB4163	B40, E40					
Brake-drum and hub assembly (including wheel studs)	2			102224	} 12285			
Wheel studs	10			ATB4097				
Nut—wheel studs	10			ATB4100				
Rear axle shaft (with nut)	2	101872	B28	102231	} 12285			
Distance washer—hub bearing	2	101548	B32					
Bearing—rear hub	2	97H656	B31					
Collar—oil seal	2	101551	B34					
Washer—axle shaft nut	2	ATC7510	B30					
Nut—axle shaft	2	101791	B29	ATC7511	12285			
Support—brake-plate	2	101552	B35					
Oil seal—hub	2	101550	B33					
Nut	8	AJD8136Z	B37	LNN206	12285			
Check strap assembly—rear axle	2	180322	A139					
Check strap	2	135918	A140	126884	} 12285			
Buffer—check strap	2	136187	A141	95608				
Rivet	8	180264						
Rebound rubber—axle	2	135920	A142	95609	12285			
Rear springs complete	2	139106						
Main leaf complete with bush	2	300003	A70					
Bush—Silentbloc	2	83987	A71					
Second leaf	2	139108	A72					
Third leaf	2	NSP	A73					
Fourth leaf complete with clips	2	NSP	A74					
Leaf clips	4	130420	A75					
Rivet	4	180265						
Distance tube	4	127648	A76					
Bolt (1/4" BSF)	4	127649	A82					
Fifth leaf	2	NSP	A77					
Sixth leaf	2	NSP	A78					
Seventh leaf	2	NSP	A79					
Rubber pad	24	ACG5232	A80					
Rubber—spring clip	8	127063	A81					
Locating bolt	2	130180	A83					
Distance piece—locating bolt	2	ACA5000						
Clip—rear spring	4	130288	A84					
Bracket—R/H (damper to rear spring)	1	136185	A86					
Bracket—L/H (damper to rear spring)	1	136186	A85					
Pin—rear spring front end	2	126876	A87					
Washer—Silentbloc	4	84391	A88					
Seating pad—rear spring	4	130136	A89					
Locating plate—rear spring	4	130289	A90					
Shackle plate	4	99693	A91					
Shackle pin	4	99565	A92					
Bush	8	ACA5242	A93					
Propeller shaft assembly (R)	1	135892						
Flange yoke assembly	1	7H3865	B51					
Flange yoke	2	7H3863	B50					
Journal assembly—less greasers	2	8G3000	B52					

DESCRIPTION	No. off per Car	Commencing Chassis No. TD0251		Part No.	Commencing Chassis No.	Part No.	Commencing Chassis No.	REMARKS
		Part No.	Illus. No.					
Rear Axle Assembly, Springs, and Propeller Shaft—continued								
Needle bearing assembly.....	8	7H3874	B55					
Snap ring	8	7H3877	B56					
Dust cap	1	7H3878	B58					
Steel washer	1	7H3879	B59					
Cork washer	1	7H3880	B60					
Grease nipple	2	2A5393	B57					
Tubular shaft assembly	1	7H3893	B49					
Bolt—propeller shaft	8	AJD6209						
Turret locknut ($\frac{5}{8}$ " BSF) (Philidas)	8	AJD8135Z						
Grease nipple ($\frac{1}{8}$ " gas)	1	181231	B61					
AMENDMENTS								
.....								
.....								
.....								
.....								
.....								
.....								
.....								
.....								
.....								
.....								
.....								
REAR HYDRAULIC DAMPERS LUVAX GIRLING								
Damper complete—R/H	1	136188	A94					
Pin—connecting link	1	300005						
Connecting link	1	300004						
Bearing rubber	1	AJJ402						
Damper complete—L/H	1	136189	A95					
Pin—connecting link	1	300005						
Connecting link	1	300004						
Bearing rubber	1	AJJ402						
ALTERNATIVE ARMSTRONG SHOCK ABSORBERS								
Rear shock absorber—R/H—complete with arm and link	1	500536						
Rear shock absorber—R/H—with arm, less link	1	300943						
Link	1	300954						
Valve assembly	1	300942						
Lid	1	300940						
Gasket	1	7H1788						
Screws	6	300936						
Filler plug.....	1	300937						
Washer—filler plug	1	300938						
Rear shock absorber—L/H—complete with arm and link	1	500537						
Rear shock absorber—L/H—with arm, less link	1	300944						
Link	1	300954						
Valve assembly	1	300942						
Lid	1	300940						
Gasket	1	7H1788						
Screws	6	300936						
Filler plug.....	1	300937						
Washer—filler plug	1	300938						

KEY TO PLATE A

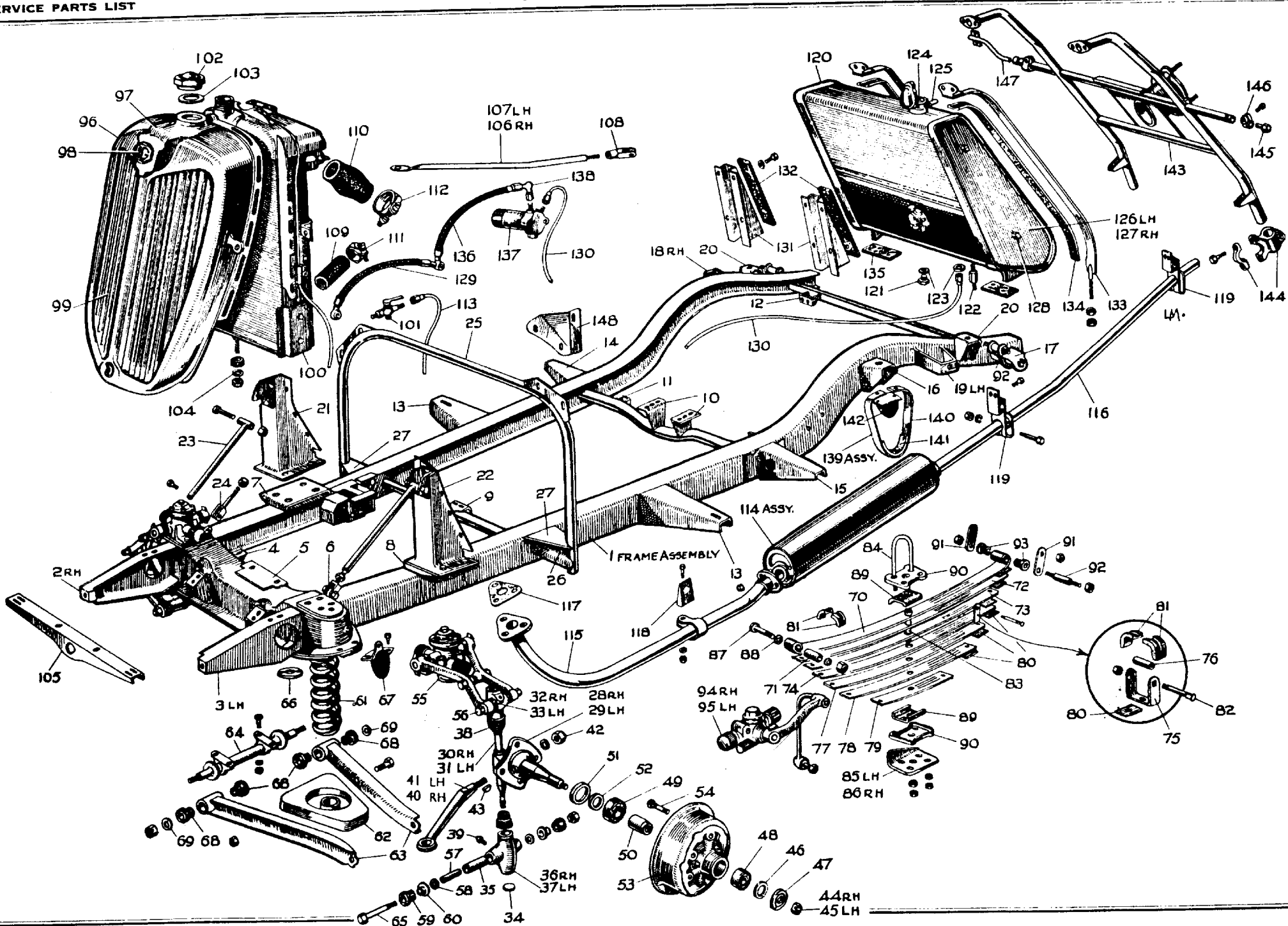
Illus. No.	Description	Page No.
A1	Chassis frame complete	A.2
A2	Extension—front R/H—frame	A.2
A3	Extension—front L/H—frame	A.2
A4	Bracket—engine steady	A.2
A5	Bracket—engine mounting support	A.2
A6	Anchor—stay tube	A.2
A7	Bracket—frame stiffener—R/H	A.2
A8	Bracket—frame stiffener—L/H	A.2
A9	Bracket—engine mounting—rear	A.2
A10	Bracket—propeller shaft tunnel	A.2
A11	Bracket—exhaust pipe	A.2
A12	Bracket—exhaust pipe	A.2
A13	Bracket—centre—body mounting	A.2
A14	Bracket—front—rear spring—R/H	A.2
A15	Bracket—front—rear spring—L/H	A.2
A16	Bracket—rear—body mounting	A.2
A17	Bracket—rear—rear spring	A.2
A18	Mounting bracket—rear wing—R/H	A.2
A19	Mounting bracket—rear wing—L/H	A.2
A20	Mounting bracket—rear valance	A.2
A21	Stiffener bracket—R/H	A.2
A22	Stiffener bracket—L/H	A.2
A23	Stay tube assembly	A.2
A24	Fork end	A.2
A25	Dash stiffener assembly	A.2
A26	Gusset plate—dash stiffener	A.2
A27	Gusset plate—top—dash stiffener	A.2
A28	Steering knuckle—R/H	A.3
A29	Steering knuckle—L/H	A.3
A30	Swivel pin—R/H	A.3
A31	Swivel pin—L/H	A.3
A32	Link—swivel pin—upper R/H	A.3
A33	Link—swivel pin—upper L/H	A.3
A34	Plate—link	A.3
A35	Bush—link	A.3
A36	Link—swivel pin—lower R/H	A.3
A37	Link—swivel pin—lower L/H	A.3
A38	Seal—swivel pin	A.3
A39	Grease nipple ($\frac{1}{8}$ " \times 90°)—link	A.3
A40	Steering lever—R/H	A.3
A41	Steering lever—L/H	A.3
A42	Nut—Simmonds thin $\frac{1}{4}$ " BSF	A.3
A43	Key—Woodruff No. 8	A.3
A44	Nut—steering knuckle—R/H	A.3
A45	Nut—steering knuckle—L/H	A.3
A46	Felt washer—hub	A.3
A47	Grease retainer—hub	A.3
A48	Bearing hub—inner	A.3
A49	Bearing hub—outer	A.3
A50	Distance piece—hub	A.3
A51	Distance washer—hub	A.3
A52	Oil seal—hub	A.3
A53	Hub and brake-drum assembly—R/H front	A.3
A54	Wheel stud	A.3
A55	Damper complete—front	A.4
A56	Bolt—wishbone to link	A.4
A57	Link—distance tube	A.4
A58	Thrust washer—link	A.4
A59	Seal—link	A.4
A60	Support—link seal	A.4
A61	Spring coil	A.4
A62	Spring pan assembly	A.4
A63	Bottom wishbone assembly	A.4
A64	Wishbone pivot	A.4
A65	Bolt—wishbone to link	A.4
A66	Spigot for spring	A.4
A67	Check rubber	A.4
A68	Bush—bottom wishbone	A.4
A69	Washer—wishbone	A.4
A70	Main leaf complete with bush	A.5
A71	Bush—Silentbloc	A.5
A72	Second leaf	A.5
A73	Third leaf	A.5
A74	Fourth leaf complete with clips	A.6
A75	Leaf clips	A.6

Illus. No.	Description	Page No.
A76	Distance tube	A.6
A77	Fifth leaf	A.6
A78	Sixth leaf	A.6
A79	Seventh leaf	A.6
A80	Rubber pad	A.6
A81	Rubber—spring clip	A.6
A82	Bolt— $\frac{1}{4}$ " BSF	A.6
A83	Locating bolt	A.6
A84	Clip—rear spring	A.6
A85	Bracket—L/H—damper to rear spring	A.6
A86	Bracket—R/H—damper to rear spring	A.6
A87	Pin—rear spring front end	A.6
A88	Washer—Silentbloc	A.6
A89	Seating pad—rear spring	A.6
A90	Locating plate—rear spring	A.6
A91	Shackle plate	A.6
A92	Shackle pin	A.6
A93	Bush	A.6
A94	Damper complete—R/H	A.7
A95	Damper complete—L/H	A.7
A96	Radiator case (with medallion, grille, and false nose)	C.2
A97	Radiator false nose	C.2
A98	Medallion—M.G.—radiator	C.2
A99	Radiator grille	C.2
A100	Radiator film block complete (with tanks)	C.2
A101	Drain tap	C.2
A102	Filler cap—radiator	C.2
A103	Ring—rubber—filler cap	C.2
A104	Packing washer—radiator mounting	C.2
A105	Support member—radiator	C.2
A106	Stay tube—radiator—R/H	C.2
A107	Stay tube—radiator—L/H	C.2
A108	Yoke end—stay tube	C.2
A109	Hose—bottom—radiator	C.2
A110	Hose—top—radiator	C.2
A111	Clip—bottom hose	C.2
A112	Clip—top hose	C.2
A113	Drain pipe	C.2
A114	Exhaust system assembly	C.2
A115	Front pipe	C.2
A116	Silencer and rear pipe assembly	C.2
A117	Gasket—exhaust pipe flange	C.2
A118	Bracket—front support	C.2
A119	Support—tail pipe	C.2
A120	Petrol tank complete	C.3
A121	Drain plug—petrol tank	C.3
A122	Main feed adaptor	C.3
A123	Washer—drain plug and main feed	C.3
A124	Filler cap (Westwood) complete	C.3
A125	Trigger—cap	C.3
A126	End cover—petrol tank—L/H	C.3
A127	End cover—petrol tank—R/H	C.3
A128	Special bolt—tank end cover	C.3
A129	Pipe (between carburettors)	C.3
A130	Pipe—tank to pump—complete with washer and union washer	C.3
A131	Mounting bracket	C.3
A132	Rubber for mounting bracket	C.3
A133	Strap—petrol tank	C.3
A134	Packing—tank strap	C.3
A135	Rubber packing—tank to frame	C.3
A136	Pipe—pump to carburettors	C.3
A137	Petrol pump	J.2
A138	Elbow—petrol pump	J.2
A139	Check strap assembly—rear axle	A.5
A140	Check strap	A.5
A141	Buffer—check strap	A.5
A142	Rebound rubber—rear axle	A.5
A143	Spare wheel carrier bracket assembly	L.4
A144	Clamp bracket—lower—carrier	L.4
A145	Plug—spare wheel carrier	L.4
A146	Clamp—rear number-plate	L.2
A147	Mounting bracket—rear number-plate	L.2

THE  MIDGET (SERIES "TD")
CHASSIS AND RADIATOR DETAILS

PLATE A

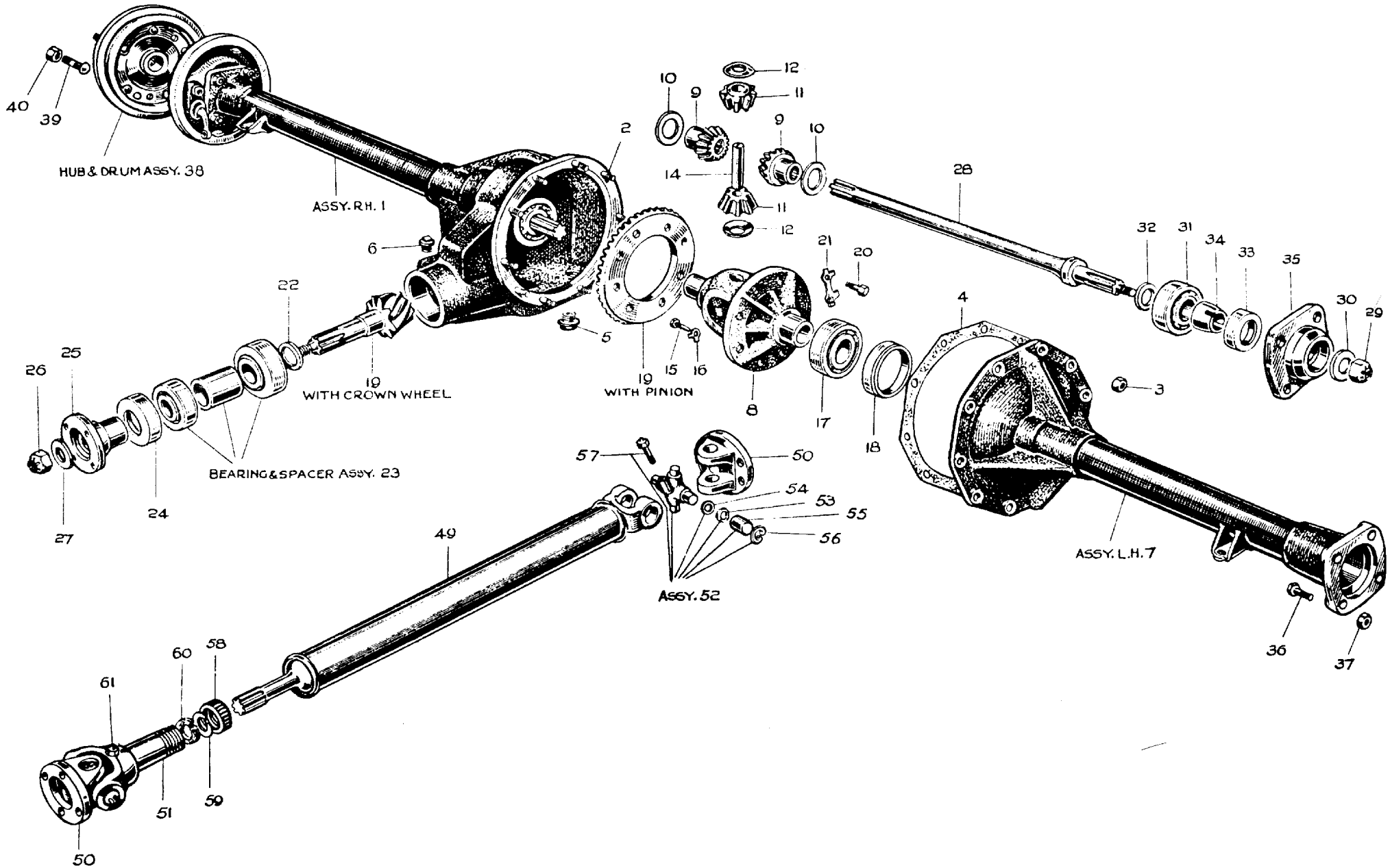
SERVICE PARTS LIST



KEY TO PLATE B

Illus. No.	Description	Page No.
B1	Axle tube assembly—R/H	A.4
B2	Stud-cover	A.4
B3	Nut—axle cover stud	A.4
B4	Joint	A.4
B5	Drain plug	A.5
B6	Oil filler plug	A.5
B7	Axle tube assembly—L/H	A.4
B8	Cage—differential	A.4
B9	Gear—differential	A.4
B10	Washer—gear	A.4
B11	Pinion—differential	A.4
B12	Washer—pinion	A.4
B14	Pin—pinion	A.4
B15	Locking bolt—pinion pin	A.4
B16	Tab washer—locking bolt	A.4
B17	Bearing—differential	A.4
B18	Distance collar—bearing	A.4
B19	Crown wheel and pinion	A.5
B20	Bolt—crown wheel	A.5
B21	Locking tab—crown wheel bolt	A.5
B22	Distance washer—pinion—rear	A.5
B23	Bearing and spacer assembly	A.5
B24	Oil seal—pinion—front	A.5
B25	Flange—universal joint	A.5
B26	Castle nut—pinion	A.5
B27	Washer—castle nut	A.5

Illus. No.	Description	Page No.
B28	Rear axle shaft	A.5
B29	Nut—axle shaft	A.5
B30	Washer—axle shaft nut	A.5
B31	Bearing—rear hub	A.5
B32	Distance washer—hub bearing	A.5
B33	Oil seal—hub	A.5
B34	Collar—oil seal	A.5
B35	Support—brake plate	A.5
B36	Bolt for support	A.5
B37	Nut— $\frac{1}{4}$ " B.S.F. (Phillidas)	A.5
B38	Hub and brake drum assembly	A.5
B39	Wheel stud	A.5
B40	Nut—wheel stud	A.5
B49	Tubular shaft assembly	A.6
B50	Flange yoke.....	A.6
B51	Sleeve yoke assembly	A.6
B52	Journal assembly (less greaser).....	A.6
B53	Gasket—journal	A.6
B54	Retainer—gasket	A.6
B55	Needle bearing assembly	A.6
B56	Snap ring	A.6
B57	Grease nipple	A.6
B58	Dust cap	A.6
B59	Steel washer	A.6
B60	Cork washer	A.6
B61	Grease nipple ($\frac{1}{4}$ " gas).....	A.6



KEY TO PLATE E

Illus. No.	Description	Page No.
E1	Brake gear (front axle) back plate assembly —R/H	E.3
E2	Brake gear (front axle) back plate assembly —L/H	E.3
E3	Spring—shoe pull-off	E.3
E4	Front brake-shoe—lined—complete	E.3
E5	Banjo connections	E.3
E6	Bolt—connection	E.3
E7	Gasket—banjo bolt—small	E.3
E8	Gasket—banjo bolt—large	E.3
E9	Brake gear (rear axle) back plate assembly —R/H	E.4
E10	Brake gear (rear axle) back plate assembly —L/H	E.4
E11	Spring—shoe tension	E.4
E12	Mask—shoe adjuster	E.4
E13	Adjuster—brake-shoe	E.4
E14	Rear brake-shoe—lined—complete	E.4
E15	Body and abutment strip	E.4
E16	Piston and dust cover	E.4
E17	Piston (hydraulic)	E.4
E18	Cup piston	E.4

Illus. No.	Description	Page No.
E19	Cup filler	E.4
E20	Boot—wheel cylinder	E.4
E21	Hand brake lever	E.4
E22	Pivot pin—hand brake lever	E.4
E23	Lever assembly	E.4
E24	Ratchet assembly	E.4
E25	Hand brake pawl	E.4
E26	Pawl rod—hand brake	E.4
E27	Hand grip	E.4
E28	Bush for rod	E.4
E29	Spring—lever knob	E.4
E30	Washer—spring	E.4
E31	Knob—pawl rod	E.4
E32	Fulcrum pin	E.4
E33	Washer—fulcrum pin	E.4
E34	Trunnion—hand brake	E.4
E35	Twin cable abutment	E.4
E36	Adjuster nut—brake cable	E.4
E37	Cable—hand brake	E.4
E38	Clevis pin	E.4
E39	Wheel stud	A.3
E40	Nut—wheel stud	A.3

SERVICE PARTS LIST


THE  MIDGET (SERIES "TD")
BRAKES (MECHANICAL)

PLATE E

